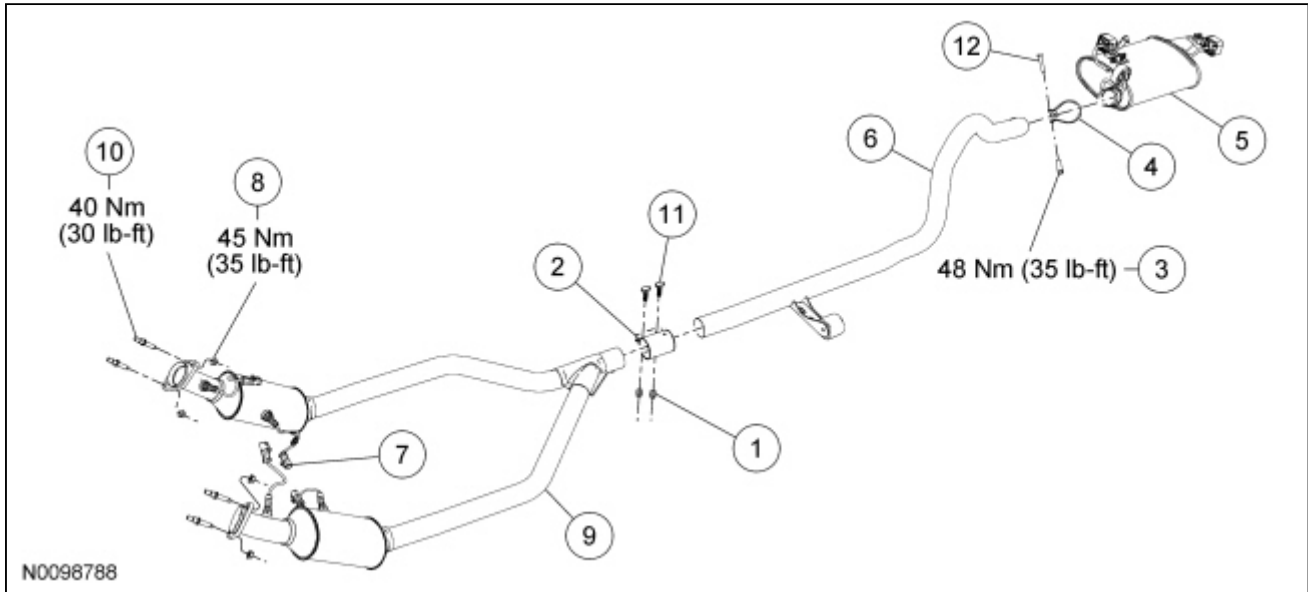


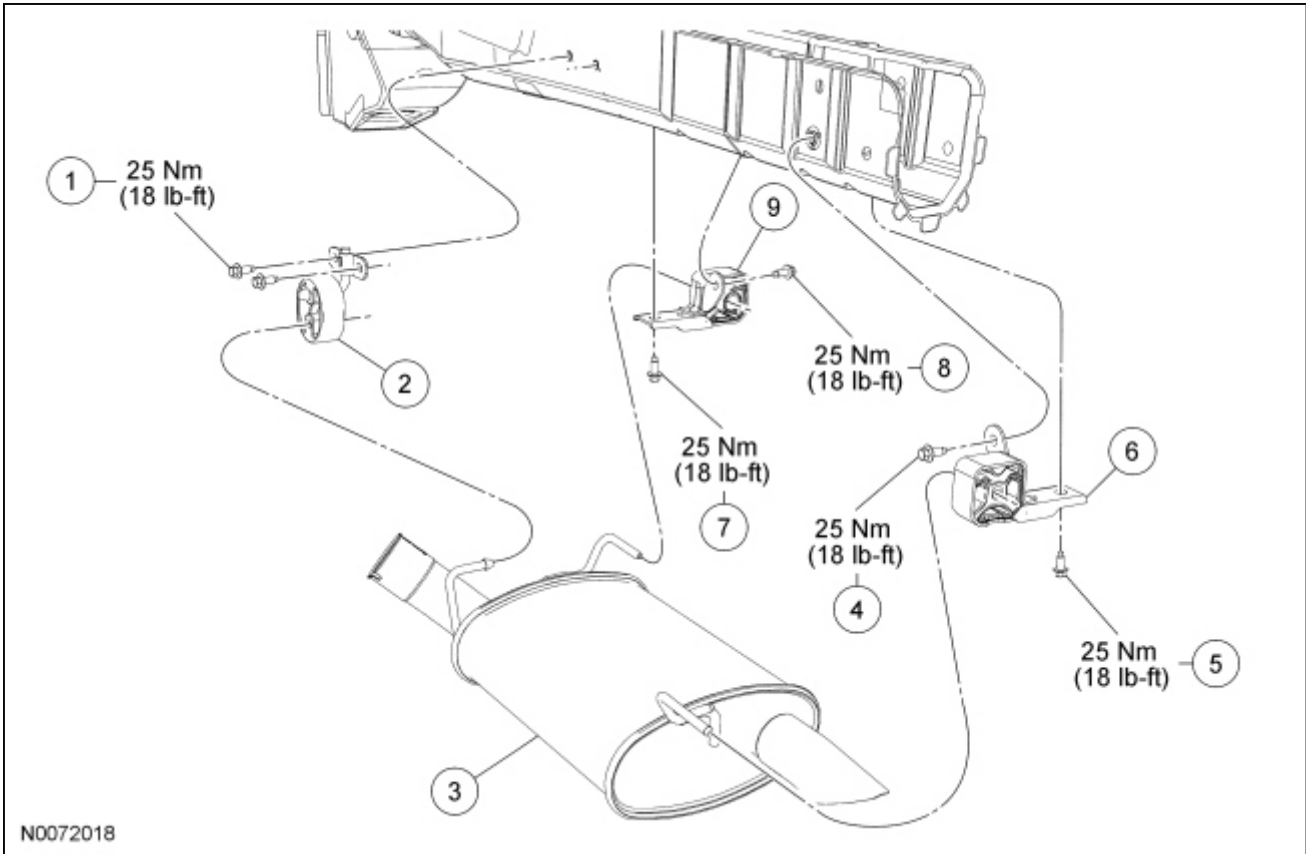
Exhaust System — Exploded View

4.0L (View 1 of 2)



Item	Part Number	Description
1	—	Exhaust coupler nut (2 required) (part of 5A281)
2	5A281	Exhaust coupler
3	—	Exhaust clamp nut (part of 5270)
4	5270	Exhaust clamp
5	5230	Muffler
6	5A212	Intermediate pipe
7	—	Heated Oxygen Sensor (HO2S) electrical connector
8	W705443	Catalytic converter-to-manifold nut (4 required)
9	5F250	Catalytic converter assembly (Y-pipe)
10	W714407	Exhaust manifold stud (4 required)
11	—	Exhaust coupler bolt (2 required) (part of 5A281)
12	—	Exhaust clamp bolt (part of 5270)

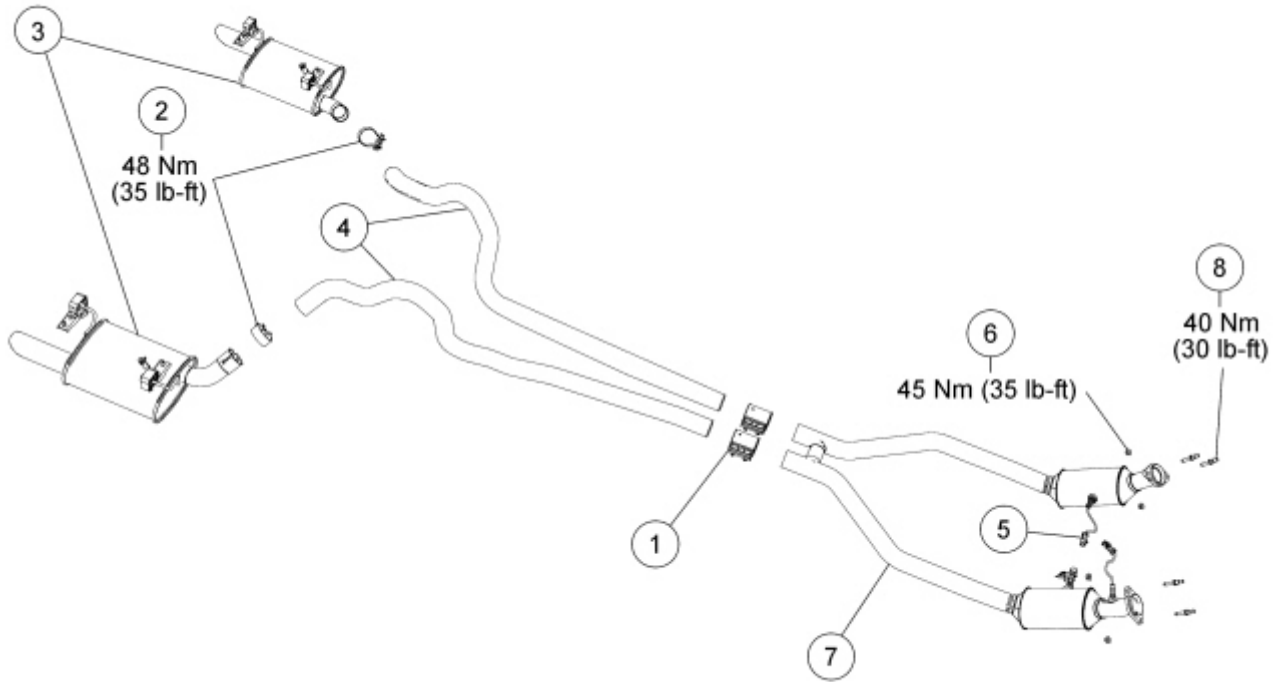
4.0L (View 2 of 2)



Item	Part Number	Description
1	W707079	RH rear isolator bolt (2 required)
2	5A262	RH rear isolator
3	5230	Muffler
4	W707079	Front isolator top bolt
5	W707079	Front isolator bottom bolt
6	5A246	Front isolator
7	W707079	LH rear isolator bottom bolt
8	W707079	LH rear isolator top bolt
9	5A246	LH rear isolator

V8 Engines (View 1 of 2)

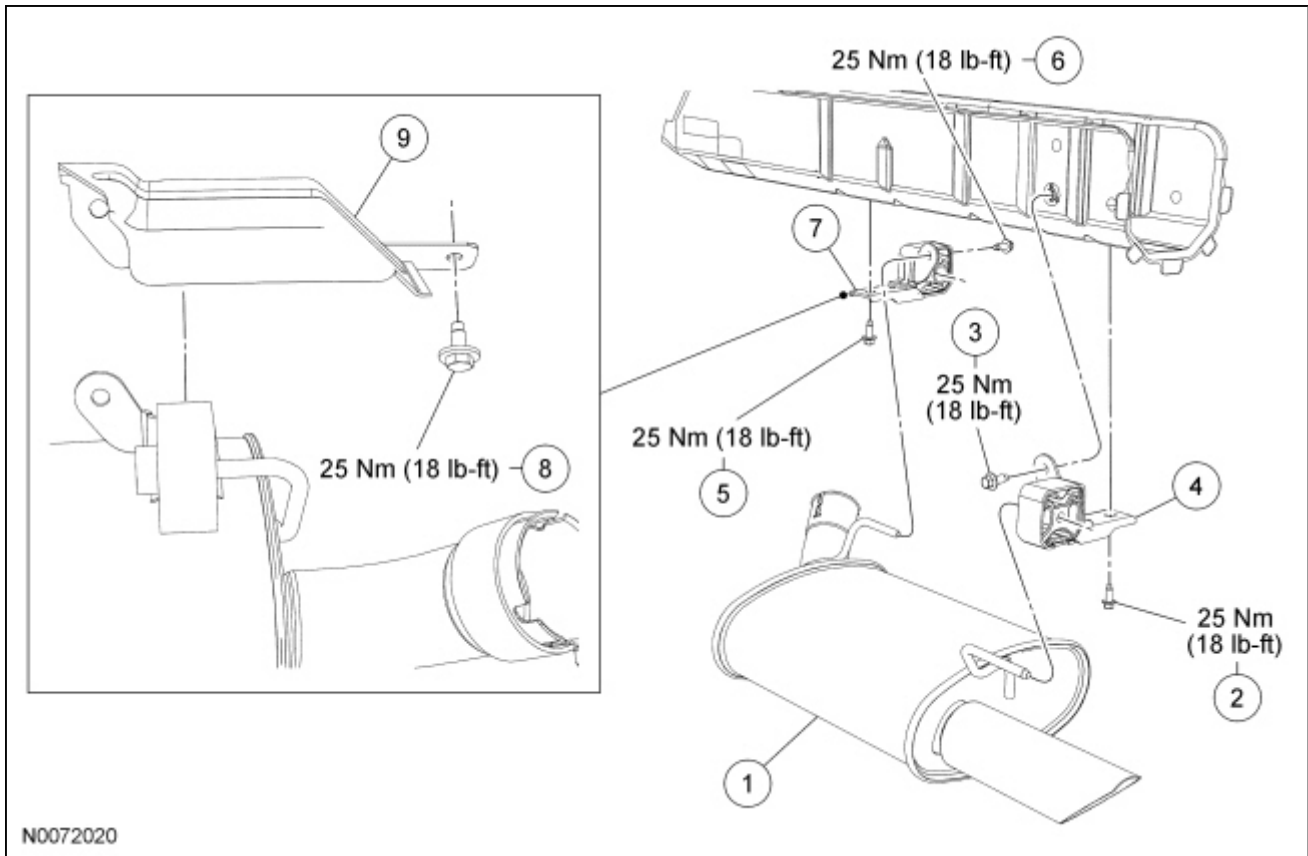
NOTE: 4.6L shown, 5.4L similar.



N0098789

Item	Part Number	Description
1	5A281	Exhaust coupler
2	5270	Exhaust clamps
3	5230 RH/ 5232 LH	Mufflers
4	5A212 RH/ 5A213 LH	Intermediate pipes
5	—	Heated Oxygen Sensor (HO2S) electrical connector
6	W705443	Catalytic converter-to-manifold nut (4 required)
7	5F250	Catalytic converter assembly (H-pipe)
8	W714407	Exhaust manifold stud (4 required)

V8 Engines (View 2 of 2)



N0072020

Item	Part Number	Description
1	5230 RH/5232 LH	Muffler
2	W707079	Front isolator bottom bolt
3	W707079	Front isolator top bolt
4	5A246	Front isolator
5	W707079	Rear isolator bottom bolt
6	W707079	Rear isolator top bolt
7	5A246	Rear isolator
8	W707079	Rear isolator shield bolt
9	5J267	Rear isolator shield

1. For additional information, refer to the procedures in this section.

